

PARTS MANUAL

**B60ZAC
(C230)**

CUSTOMER EDITION

HYSTER

SECTIONS

1	FRAME/DRIVE UNIT
2	ELECTRICAL SYSTEM
3	STEER HANDLE/BRAKE SYSTEM
4	LIFT LINKAGE, LOAD WHEELS, AND FORKS
5	HYDRAULIC SYSTEM
6	OPTIONS
7	FIELD CONVERSION KITS
8	NUMERICAL INDEX

This Parts Manual is divided into 8 major sections which are listed above. Quick reference to these sections can be made by placing the right thumb on the tab of the desired section, bending the book back and thumbing the pages to the corresponding tab.

**Thanks very much for your reading,
Want to get more information,
Please click here, Then get the complete
manual**

JustClickHere 

NOTE:

**If there is no response to click on the link above,
please download the PDF document first, and then
click on it.**

**Have any questions please write to me:
admin@servicemanualperfect.com**

TABLE OF CONTENTS

DESCRIPTION	PAGE
A	
AUDIBLE ALARM	6-5
AUXILIARY CONTROL BOX AND GRAB RAIL ASSEMBLY	2-5
B	
BATTERY DISCONNECT	2-8
BATTERY RETENTION	1-26
BATTERY ROLLER ASSEMBLY	6-8
BATTERY SPACER	1-28
BRAKE ASSEMBLY	
WITH CARRARO MDU	3-2
WITH KORDEL MDU	1-3
C	
CASTER ASSEMBLY	
SPRING LOADED - STANDARD	4-14
SPRING LOADED - HEAVY DUTY	4-16
SPRING LOADED - HEAVY DUTY, SEALED BEARINGS	4-18
COAST CONTROL	
MANUAL STEERING	3-3
POWER STEERING	3-4
CONTROL MODULE	2-6
CONVENIENCE TRAY	6-2
COVERS AND FLOORMAT	1-24
D	
DASH DISPLAY	2-7
DECALS	1-32
DRIVE UNIT INSTALLATION, WITH WHEEL AND TIRE AND STATIC STRAP	
MANUAL STEERING - WITH CARRARO MDU	1-6
POWER STEERING	1-8
DRIVE WHEEL AND TIRE	
AND STATIC STRAP - WITH KORDEL MDU	1-4
E	
ELECTRICAL SYSTEM	2-2
H	
HEATER INSTALLATION	2-10
ALTERNATE CONFIGURATION	2-12
HYDRAULIC ASSEMBLY	5-2
HYDRAULIC POWER UNIT	5-4
L	
LIFT CYLINDER ASSEMBLY	5-6
LIFT LINKAGE	4-2
LOAD BACKREST	
BOLT-ON	1-31
PIVOTED	1-30

TABLE OF CONTENTS (continued)

DESCRIPTION	PAGE
LOAD WHEELS	
DUAL WHEEL	4-10
DUAL WHEEL - SEALED	4-11
DUAL WHEEL, SEALED - ALTERNATE CONFIGURATION	4-12
SINGLE WHEEL, FOUR BEARINGS	4-7
SINGLE WHEEL, FOUR BEARINGS - SEALED	4-8
SINGLE WHEEL, FOUR BEARINGS - SEALED - ALTERNATE CONFIGURATION	4-9
SINGLE WHEEL, TWO BEARINGS	4-4
SINGLE WHEEL, TWO BEARINGS - SEALED	4-5
SINGLE WHEEL, TWO BEARINGS - SEALED - ALTERNATE CONFIGURATION	4-6
M	
MASTER DRIVE UNIT	
KORDEL	1-2
MANUAL STEERING - CARRARO	1-12
POWER STEERING	1-16
R	
RF TERMINAL	6-4
S	
STEER STOP	
ADVANCED COAST CONTROL	6-10
T	
TELEMETRY KITS	7-2
TILLER ARM ASSEMBLY	
COMPOSITE HANDLE - MANUAL STEERING	3-6
METAL HANDLE - POWER STEERING	3-8
TILLER HEAD ASSEMBLY	
COMPOSITE - MANUAL STEERING	3-10
METAL HANDLE - POWER STEERING	3-14
TILLER SWIVEL ASSEMBLY	
WITH COAST CONTROL - POWER STEERING	3-22
WITH COAST CONTROL - MANUAL STEERING, WITH CARRARO MDU	3-30
WITH COAST CONTROL - MANUAL STEERING, WITH KORDEL MDU	3-38
WITHOUT COAST CONTROL OR WITH MANUAL COAST CONTROL - POWER STEERING	3-18
WITHOUT COAST CONTROL OR WITH MANUAL COAST CONTROL - MANUAL STEERING, WITH CARRARO MDU	3-26
WITHOUT COAST CONTROL OR WITH MANUAL COAST CONTROL - MANUAL STEERING, WITH KORDEL MDU	3-34
TRACTION MOTOR	
WITH KORDEL MDU	1-22
TRACTION MOTOR ASSEMBLY	
WITH CARRARO MDU	1-20
V	
VISIBLE ALARM	6-6

TABLE OF CONTENTS (continued)

DESCRIPTION	PAGE
W	
WIRE HARNESS	
ADVANCED COAST CONTROL - MANUAL STEERING	2-41
ADVANCED COAST CONTROL - POWER STEERING	2-42
AUDIBLE ALARM	2-51
COAST CONTROL - MANUAL STEERING	2-52
HANDRAIL	2-39
HEATER APPLICATION	2-48
HEATER ASSEMBLY	2-49
MANUAL STEERING	2-18
MANUAL STEERING - ALTERNATE PART, PAGE 1 OF 2	2-22
MANUAL STEERING - ALTERNATE PART, PAGE 2 OF 2	2-26
MICRO SWITCH - TILLER SWITCH INSTALLATION	2-43
MICRO SWITCH - HEATER INSTALLATION	2-44
POWER STEERING	2-28
POWER STEERING - ALTERNATE PART, PAGE 1 OF 2	2-32
POWER STEERING - ALTERNATE PART, PAGE 2 OF 2	2-36
RF TERMINAL	2-46
SIDE GLIDE	2-40
STROBE LIGHT	2-45
THERMOSTAT	2-50
TILLER HANDLE - COMPOSITE HANDLE, MANUAL STEERING	2-14
TILLER HANDLE - METAL HANDLE, POWER STEERING	2-16

ABBREVIATIONS QUICK REFERENCE SHEET

Listed below are abbreviations used in parts manuals to denote the following expressions:

TERM	DEFINITION	TERM	DEFINITION
Amp	Amperes	FRE	Freezer Environment
AR	As Required	in.	inches
BDI	Battery Discharge Indicators	LPG	Liquefied Petroleum Gas
BWI	Brush Wear Indicator	MAP	Manifold Absolute Pressure
CE	Communicator End	mm	millimeters
CRE	Corrosive Environment	MSTS	Microprocessor Spark Timing System
D/B	Date Break	NPT	National Pipe Threads
dbA	Decibel "A" Scale	O/S	Oversize
DE	Drive End	PTO	Power Take Off
ECH	Empty Container Handler	RPM	Revolutions per Minute
ECH-3	Empty Container Handler - 3 High Stacking	S/N	Serial Number
ECH-4	Empty Container Handler - 4 High Stacking	TMM	Truck Management Module
ECH-5	Empty Container Handler - 5 High Stacking	UL Type D	Diesel-Powered Safety Rating
ECH-6	Empty Container Handler - 6 High Stacking	UL Type DS	Diesel-Powered Safety Rating
ECH-7	Empty Container Handler - 7 High Stacking	UL Type E	Battery-Powered Safety Rating
ECM	Electronic Control Module	UL Type EE	Battery-Powered Safety Rating
ECN	Engineering Change Notice	UL Type ES	Battery-Powered Safety Rating
EEPROM	Electrically Erasable Programmable Read Only Memory	UL Type G	Gasoline-Powered Safety Rating
EPA	US Environmental Protection Agency	UL Type GS	Gasoline-Powered Safety Rating
EPROM	Electrically Programmable Read Only Memory	UL Type LP	Gas-Powered Safety Rating
		UL Type LPS	LP Gas-Powered Safety Rating
		U/S	Undersize
		UL	Underwriters Laboratory
		V	Volts

HOW TO USE THE ILLUSTRATED PARTS MANUAL

This parts manual describes and illustrates assemblies, subassemblies, and detail parts needed for service replacement.

The different constructions are indicated by keys and footnotes. The callouts correspond to descriptions found on the next page.

HYSTER UNIT CODE D001 NORTH AMERICA 06/2001

TABLE OF CONTENTS

DESCRIPTION	PAGE
AIR INTAKE AND FILTER DIESEL (→ D/B 11/98).....	3-22
AIR INTAKE AND FILTER DIESEL (D/B 11/96 →).....	
AIR INTAKE AND FILTER GASOLINE AND LPG.....	
ALTERNATOR GASOLINE, LPG, AND DIESEL.....	
ALTERNATOR TYPES GS, LPS, AND DS.....	
AUXILIARY FUNCTION TUBE TWO AND THREE STAGE FULL P.....	

SECTION 13 NUMERICAL INDEX

PART NO.	PAGE NO.	ITEM NO.	PART NO.	PAGE NO.	ITEM NO.	PART NO.	PAGE NO.	ITEM NO.	PART NO.	PAGE NO.	ITEM NO.
142	3-4	19	10-13	25	11-27	29	12-31	12	16719	3-36	5
12445	3-32	19	10-17	6	11-31	25	16751	3-16	16849	3-34	21
	3-34	1	10-27	11	11-32	37	16849	3-36	16849	3-36	20
			11-11	6	8-4	29	16863	3-28	16863	3-28	17
			11-21	11	8-4	45	16865	3-6	16865	3-6	18
			12	13	9-7	9	16882	4-27	16882	4-27	41
			12	6	9-7	19		9-7		9-7	30
			3	17	9-11	9		9-11		9-11	27
			9	10	9-11	17		10-10		10-10	36
			23	46	10-9	21		10-13		10-13	32
			27	46	10-9	28		11-7		11-7	24
			26	14	10-13	16		11-9		11-9	17
			28	14	11-7	19					
			50	14							

SECTIONS

- 1
- 2
- 3
- 4
- 5 BRAKE/ACC
- 6
- 7 MAST-TWO STAG
- 8 MAST-THREE ST
- 9 MAST-TWO ST
- 10
- 11

TRANSMISSION HOUSING
S/N D001H-2628

KEY:
A: Diesel
B: Gasoline and LPG

ITEM	PART NO.	DESCRIPTION	QTY	
			A	B
		Transmission	1	1
	2022547	Transmission	1	1
	2023329	Case	2	2
1	2021670	Bearing Cap	4	4
2	2023418	Washer	1	1
3	296429	Bolt	2	2
4	293947	Cover	2	2
5	2021390	Colter Pin	4	4
6	1371656	O-Ring	1	1
7	2021329	Plug	4	4
8	2021915	Housing	22	22
9	2021675	Pin	39	39
10	2021336	Bolt	1	1
11	287860	Lockwasher	1	1
12	292682	Hydraulic Pump	1	1
13		Figure 5-3	8	8
14	2021345	Gasket	1	1
15	214364	Bolt	1	1
16	296418	Washer	1	1
17	2021388	Temperature Switch	1	1
18	2021389	Breather	9	9
19	2021383	Dipstick	9	9
20	292515	Bolt	2	2
21	136692	Nut	3	3
22	292527	Bolt	3	2
23	292531	Capscrew	4	4
24	292583	Lockwasher	4	4
25	293637	Bolt	4	4
26	296420	Washer	1	1
	996403	Transmission Kit (Includes Item 7)	1	1
	996405	Transmission Kit (Includes Item 14)	1	1

This Parts Manual is divided into 11 major sections which are listed above. Quick be made by placing the right thumb on the tab of the desired section, bending the pages to the corresponding tab.

© Copy Right Date HYSTER COMPANY See Service Manual for service procedures. 5-15

HOW TO FIND THE DESIRED PART NUMBER

WHEN THE PART NUMBER AND THE NEXT HIGHER ASSEMBLY IS NOT KNOWN:

1. Determine the function and application of the part required. Turn to the Sections Page. Choose the general area of reference most likely to include the part.
2. Turn to the section you chose. Use the Section Table of Contents to determine the assembly which would normally contain the part required. Then locate the part on the assembly breakdown page.

WHEN THE PART NUMBER IS NOT KNOWN AND THE NEXT HIGHER ASSEMBLY IS KNOWN:

3. Determine the assembly the required part is used on. Turn to the Table of Contents (Page i).
4. Locate the assembly the required part is used on and turn to the page indicated for that assembly. Then locate the part on the assembly breakdown page.

WHEN THE PART NUMBER IS KNOWN:

5. Use the Numerical Index (Page 8-1) to find the part number. Turn to the page listed and locate the part as indicated by the item number.

GENERAL:

The assembly breakdowns include part numbers, descriptions, quantities required, keys and footnotes to help in selecting correct parts.

6. Parts Supersession Information. Part numbers that have this history will be displayed in the parts list in the order that they were superseded (from oldest to newest). The superseded part numbers will be shown with a line through them.

Five periods in the PART NO. column (.) indicate that the part is either *Not Serviced Separately* or there is a reference to another figure. A figure reference is denoted by a pointing hand followed by a figure number in the DESCRIPTION column (☞ Figure 10)

7. Keys are used to show two or more similar assemblies, RH and LH assembly parts, etc. Select the appropriate key, "A", "B", "C", "D", or "E" and the corresponding quantity column to find the required parts. Two periods in the QTY column (..) indicate that the part is not used for that assembly.
8. Indented descriptions under the DESCRIPTION column are used to indicate assemblies and

subparts of assemblies. In the example on the previous page, *BEARING CAP* (Item 2) is a subpart of the major assembly *CASE*.

9. Quantities shown are for one assembly. The quantities of the subpart *BEARING CAP* are indicated as two and two. This means two per *CASE* assembly.
10. Serial number breaks identify the most current parts information and are shown as follows:
 - **S/N D001H2628**
Indicates last serial number affected.
 - S/N D001H2629** →
Indicates the first serial number affected.
 - S/N D001H1553** ↔ **S/N D001H3291**
Indicates a range of serial numbers affected.

ECN numbers for pending serial numbers are shown to allow for the inclusion of the most current parts information and are identified as follows:

- **S/N Pending Per ECN 63243**
Indicates a pending serial number for last unit affected.
- S/N Pending Per ECN 63243** →
Indicates a pending serial number for first unit affected.

Date breaks are used to indicate when a change occurred but a subsequent serial number break was not recorded. This is an arbitrary date usually based on the ECN release and are identified as follows:

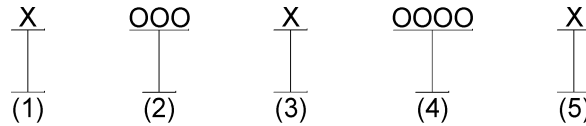
- **D/B 3/00**
Indicates that a change occurred sometime within that month for the item affected.
- D/B 3/00** →
Indicates that a change occurred sometime within that month for the item affected.
- D/B 3/00** ↔ **D/B 4/00**
Indicates a range of production dates of the item affected.

Contact your local dealer for Hyster lift trucks for serial number information for items with a ECN or a date break.

ORDERING PARTS:

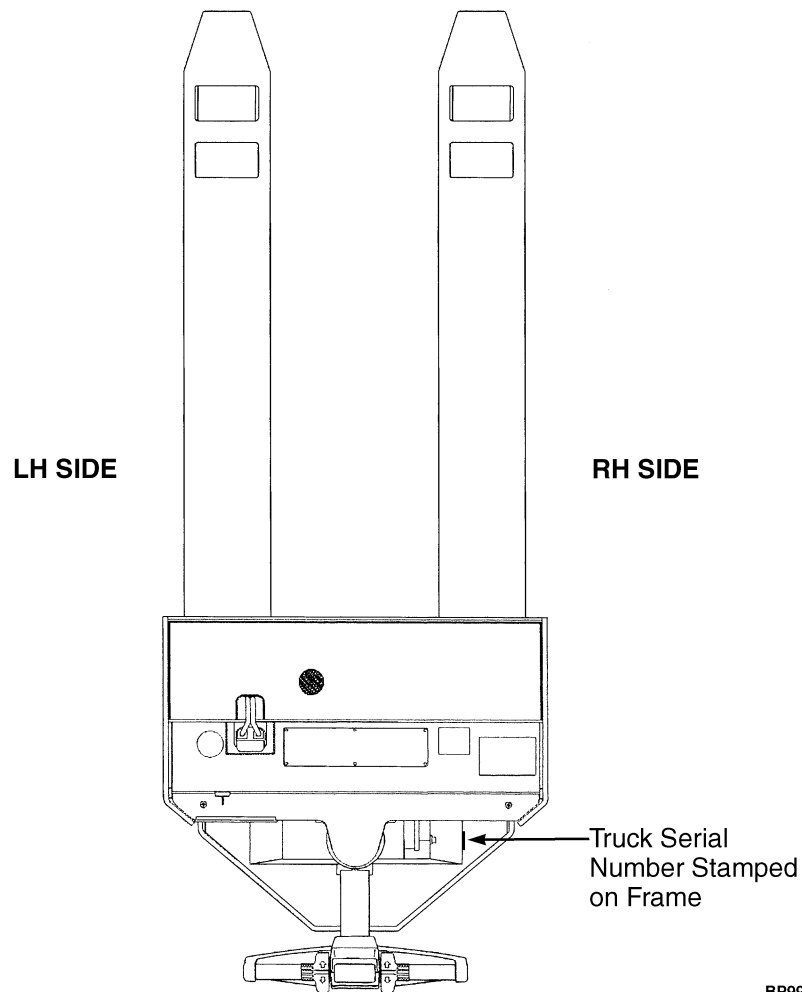
When ordering replacement parts, give the unit serial number, part number, name of part and quantity required.

For any further information on parts, service, or ordering, consult your local dealer for Hyster lift trucks.

IDENTIFICATION OF TRUCK SERIAL NUMBERS

- (1) and (2) The first letter and three numbers indicate the truck unit code.
- (3) The second letter indicates the plant of manufacture.
- (4) The four or five digit number indicates the production sequence number of the truck.
- (5) The final letter indicates the year of manufacture starting with "A" in 1957, 1980, and 2003. The letters "I", "O", and "Q" will not be used.

For pending serial numbers contact your local dealer for Hyster lift trucks.



BP990006

Parts referred to in this book as right or left hand parts are in accordance with the illustration above.

PUBLICATIONS

Every new lift truck is provided with an OPERATING MANUAL. This manual has information that the operator must know for inspection and operation of the lift truck.

SERVICE MAINTENANCE MANUALS, which provide service and overhaul procedures, and PARTS

MANUALS with complete replacement part identification, are available at a nominal fee from your Hyster dealer to assist users in effectively maintaining Hyster lift trucks in a safe, useful condition. See the list below for information on ordering specific publications for this model lift truck.

PUBLICATION	HYSTER PART NUMBER
Operating Manual.....	4092828
Service Manual (Complete).....	4096086
Parts Manual.....	4096116

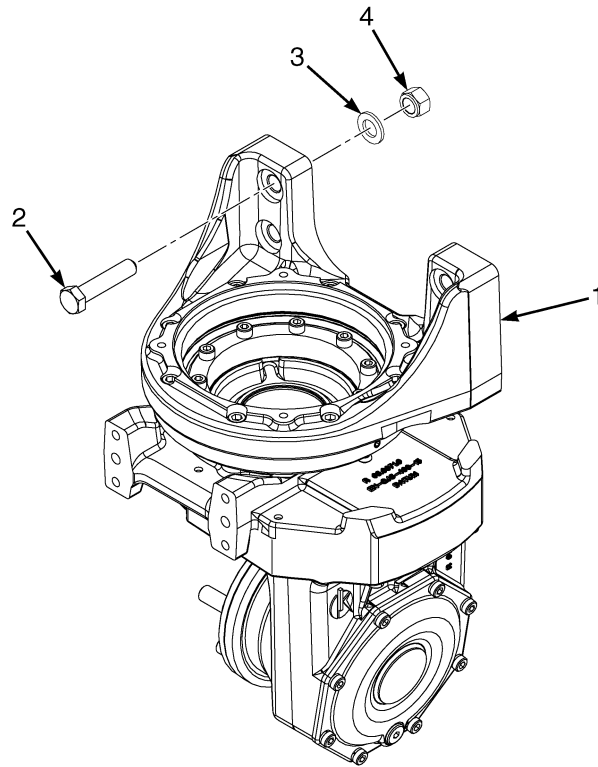
1

FRAME/DRIVE UNIT

SECTION 1 FRAME/DRIVE UNIT

DESCRIPTION	PAGE
BATTERY RETENTION	1-26
BATTERY SPACER	1-28
BRAKE ASSEMBLY	
WITH KORDEL MDU	1-3
COVERS AND FLOORMAT	1-24
DECALS	1-32
DRIVE UNIT INSTALLATION, WITH WHEEL AND TIRE AND STATIC STRAP	
MANUAL STEERING - WITH CARRARO MDU	1-6
POWER STEERING	1-8
DRIVE WHEEL AND TIRE	
AND STATIC STRAP - WITH KORDEL MDU	1-4
LOAD BACKREST	
BOLT-ON	1-31
PIVOTED	1-30
MASTER DRIVE UNIT	
KORDEL	1-2
MANUAL STEERING - CARRARO	1-12
POWER STEERING	1-16
TRACTION MOTOR	
WITH KORDEL MDU	1-22
TRACTION MOTOR ASSEMBLY	
WITH CARRARO MDU	1-20

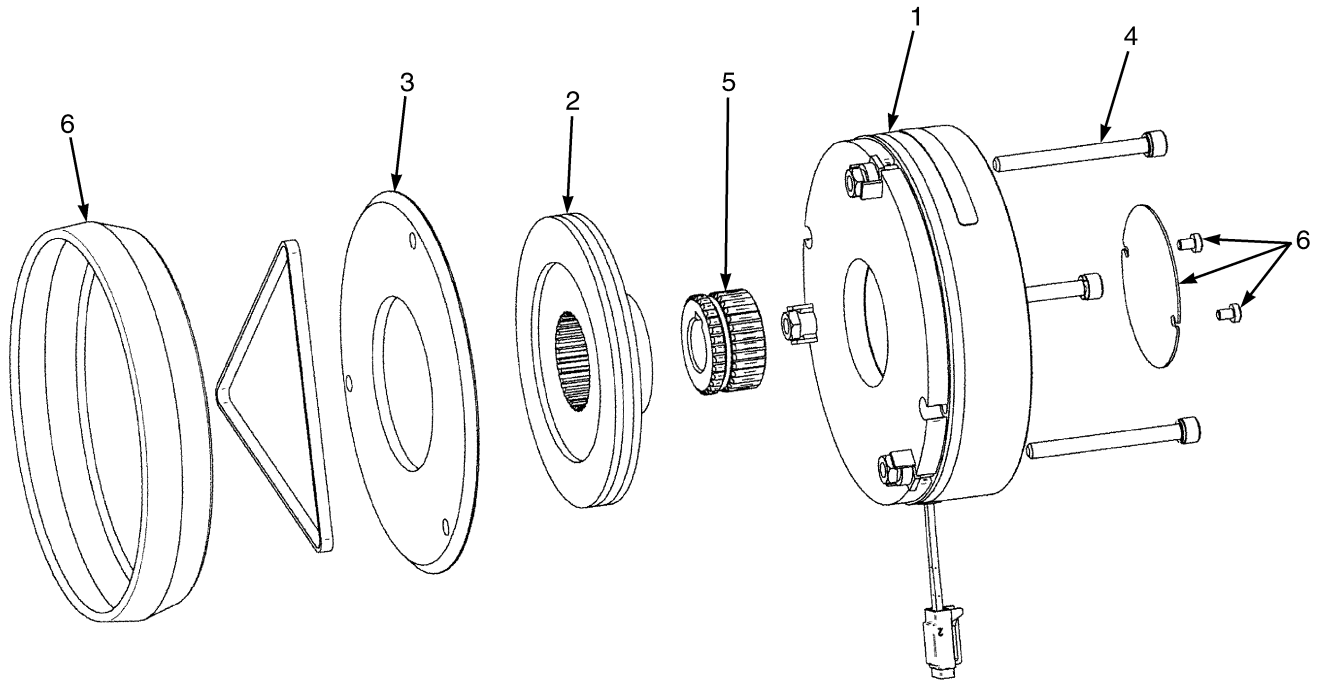
MASTER DRIVE UNIT (FIGURE 1-1) KORDEL



BP121513

ITEM	PART NO.	DESCRIPTION	QTY
1	4639518	Master Drive Unit Assembly	1
1	4129814	Kit-Seal (Lower Radial Shaft)	1
1	4129815	Kit-Plug	1
1	4129816	Kit-Bearing (Steering)	1
1	4129818	Kit-Gear (Helical)	1
2	1475398	Capscrew	4
3	296424	Washer	4
4	2039316	Nut	4

**BRAKE ASSEMBLY (FIGURE 1-2)
WITH KORDEL MDU**



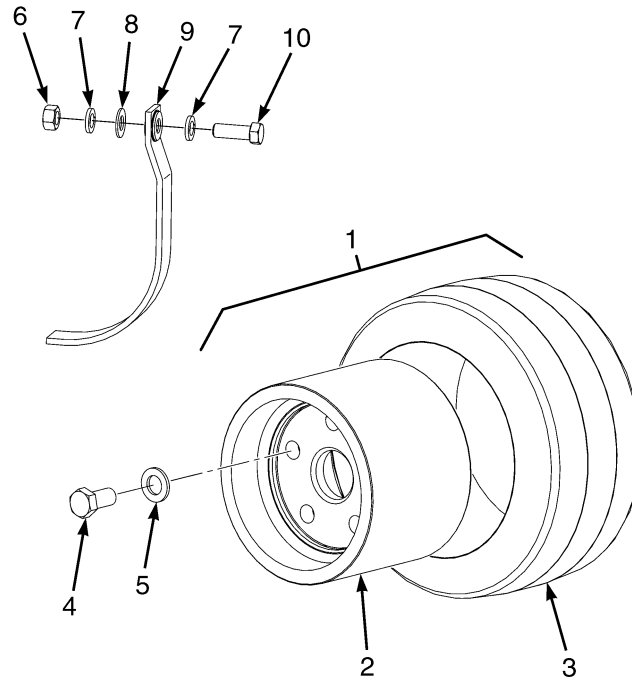
BP040230

ITEM	PART NO.	DESCRIPTION	QTY
	2085166	Brake Assembly , Magnetic (With Diode)	1
1	a	Inductor Assembly	1
2	1641614	Rotor Assembly	1
3	4038762	Flange	1
4	4028093	Kit-Screw	1
5	1641926	Hub	1
6	2094737	Brake Enclosure Kit (Brake)	1

FOOTNOTES:

a Supplied complete with items 2, 3, 4, and 5.

DRIVE WHEEL AND TIRE (FIGURE 1-3) AND STATIC STRAP — WITH KORDEL MDU



BP160160

ITEM	PART NO.	DESCRIPTION	QTY
1	2040499	Wheel and Tire (Rubber)	1
1	2040753	Wheel and Tire (Poly)	1
1	2059612	Wheel and Tire (Siped Poly)	1
2	2038719	Drive Wheel	1
3	2037928	Tire (Polyurethane, 90 Durometer)	1
3	2306688	Tire (Rubber)	1
3	2059613	Cushion Tire (Siped Poly)	1
4	1343502	Capscrew	5
5	296424	Washer	9
6	a 15057	Nut	1
7	a 15129	Lockwasher	2
8	a 15157	Lockwasher	1
9	a 239906	Static Strap (10 in.)	1
10	a 18557	Capscrew	1

FOOTNOTES:

a Used with Polyurethane Wheel and Tire Assembly

